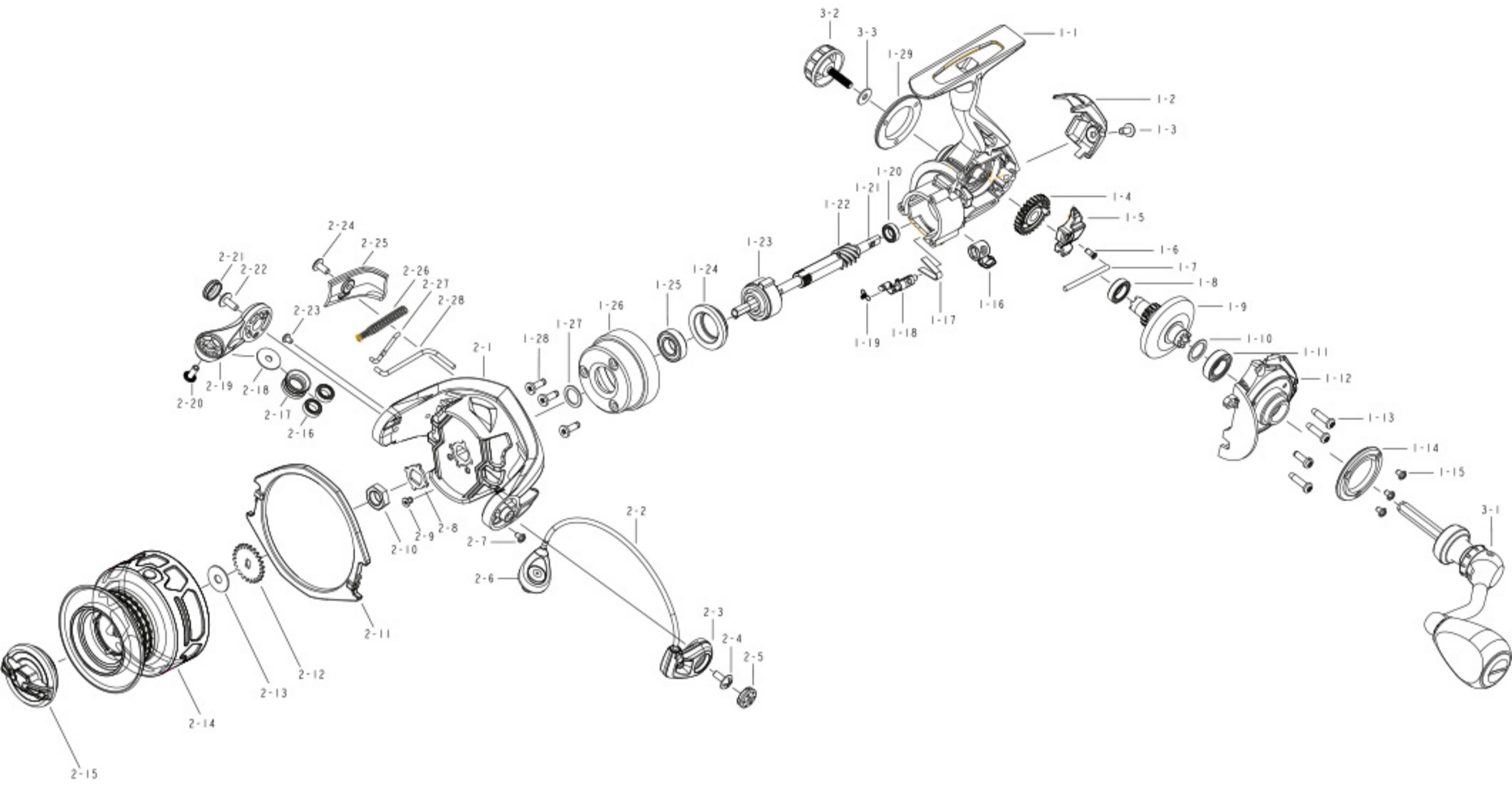


EXPLODED DRAWING



- 1-1. main body
- 1-2. body rear cover
- 1-3. screw
- 1-4. drive gear
- 1-5. slider
- 1-6. screw
- 1-7. slider shaft
- 1-8. body ball bearing
- 1-9. main gear
- 1-10. main gear washer
- 1-11. ball bearing
- 1-12. main cover
- 1-13. screw
- 1-14. body side cover
- 1-15. screw
- 1-16. anti reverse button
- 1-17. spring plate
- 1-18. anti-reverse shaft
- 1-19. spring
- 1-20. pinion ball bearing

- 1-21. main shaft
- 1-22. pinion gear
- 1-23. one way clutch
- 1-24. bushing
- 1-25. ball bearing
- 1-26. owc cover
- 1-27. washer
- 1-28. screw
- 1-29. body side cover
- 2-1. rotor
- 2-2. bail line system
- 2-3. bail arm
- 2-4. screw
- 2-5. bail arm cover
- 2-6. bail line strip
- 2-7. screw
- 2-8. keeper
- 2-9. screw
- 2-10. rotor nut
- 2-11. line guard

- 2-12. click gear
- 2-13. washer
- 2-14. spool
- 2-15. drag button
- 2-16. ball bearing
- 2-17. line roller
- 2-18. washer
- 2-20. screw
- 2-21. bail arm cover
- 2-22. screw
- 2-23. screw
- 2-24. screw
- 2-25. rotor cover
- 2-26. spring
- 2-27. shaft
- 2-28. bail shaft
- 3-1. handle system
- 3-2. handle cover
- 3-3. handle screw washer